

## HOW TO IDENTIFY YOUR ONSPOT CHAIN UNITS

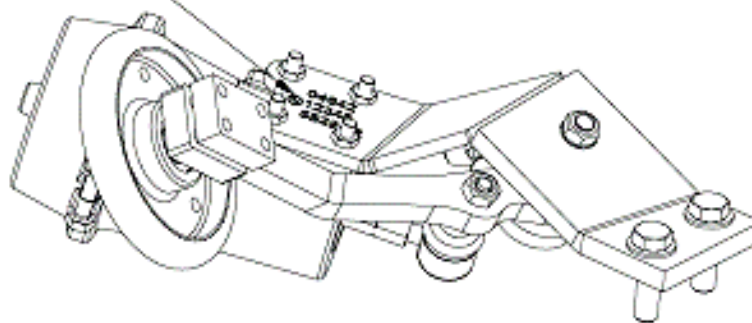
Providing us with your Onspot Model and Serial numbers will assist in you receiving the proper parts for your chain units.

Your Onspot chain units Model # and Serial # are stamped on the cylinder brackets between the four nuts that attach the air can to the bracket. (See picture below).

Beginning with Serial # 28704 on February 26, 2001, Onspot began stamping the serial numbers on **BOTH** chain units.

Prior to this, the number was only located on one of the units. If your chain units are mounted in front of the axle, the number would be located on the driver side unit. If your chain units are mounted behind the axle, the number should be on the passenger side unit.

### Serial Number Location



Model # of Chain Unit

Serial #

Part Number of Cylinder Bracket only

