



BLUE BIRD

DATE: DECEMBER 13, 2010

TO: BLUE BIRD DEALERS

SUBJECT: SERVICE BULLETIN S10SR C.E. WHITE TRACK MOUNTED SEAT INSTRUCTIONAL DECAL REPLACEMENT

MODELS AFFECTED: 2006-2011 MODEL YEAR VISION BUSES EQUIPPED WITH C.E. WHITE TRACK MOUNTED SEATS

On the above year models, an incorrect track mounted seat instructional decal may have been installed. Instructions for replacing it with the correct decal are provided in Service Bulletin S10SR. Copy attached.

A printout of your buses potentially affected by Service Bulletin S10SR is also attached.

Service Bulletin S10SR along with the correct decal(s) is being mailed directly to owners. Owners are being advised to contact their dealer for assistance, if needed.

Time allowed to replace decals is 0.1hr per bus.

Replacement decals are being shipped directly to owners with the owner letter.

Service Bulletin S10SR ends one (1) year from date of issue. Claims for modifications performed after the end date cannot be submitted to Blue Bird.

Questions regarding Service Bulletin S10SR should be directed to your Blue Bird Service Representative.

Bill Coleman
Engineering Services
Blue Bird Corporation



December 13, 2010

Dear Blue Bird Owner,

An incorrect track mounted seat “instructional” decal may have been installed on certain Blue Bird 2006-2010 model year “Vision” conventional model school buses. Instructions for replacing the original decal with the correct decal are provided in Service Bulletin S10SR. Copy attached.

Your buses affected by Service Bulletin S10SR are identified by Body Serial Number on the attached cover sheet.

The correct replacement decals are enclosed for each of your listed buses.

Time allowed to replace the track mounted seat instructional decal is 0.1 hrs (6 minutes) per bus.

You may contact your Blue Bird dealer to arrange to have this service bulletin performed. Or, if you prefer, you may perform this service bulletin yourself or have a qualified repair facility convenient to you perform it. A qualified technician should perform this procedure.

Service Bulletin S10SR ends one (1) year from date of issue.

Should you have any questions concerning this bulletin, please contact your Blue Bird dealer.

Sincerely,

Bill Coleman
Engineering Services
Blue Bird Corporation
478-822-2242



Track Seating Instructional Decal For C.E. White Seats

BULLETIN

Models Affected: All buses manufactured from 01/01/06 thru 07/30/10 and equipped with C.E. White track mounted modular seats

ISSUE

An incorrect track seating instructional decal may have been installed on buses equipped with C.E. White track mounted modular seats.

CORRECTIVE ACTION

Place new C.E. White track seating instructional decal over existing decal as instructed below.

PROCEDURE

WARNING: Always follow all Federal, State, Local and Shop safety standards and use proper safety equipment when performing these procedures.

Locate the track mounted seating decal inside bus on Driver's Side or Curb Side of unit on headlining panel above wire molding. The decal may be located on one side or both, depending on the location of the track mounted seats. Clean original decal with dry cloth and install new track seating instructional decal directly over the original decal.

Your bus requires one of the following decals: The appropriate decal, identified by body number, for your bus is enclosed.

Decal for Blue Bird Manufactured Track Mounted Seats:

Your bus may contain both C.E. White track mounted seats and Blue Bird track mounted seats, if so, the Blue Bird track mounted seat decal 0194370 (See page 4 for example) must stay affixed adjacent to the Blue Bird track mounted seats.

A new C.E. White track mounted seat decal must be affixed over the original C.E. White track mounted seat instructional decal (or the incorrect Blue Bird track seating instructional decal) adjacent to the CE White track mounted seats.

Note 1: Blue Bird track mounted seats may be identified by the square tubing used for the seat legs. C.E. White track mounted seats will have round tubing for the seat legs.

Note 2: If decal 01943760 for Blue Bird track mounted seats was incorrectly installed on your bus and it is equipped with all C.E. White seats located as shown on decal 01943760, the seat locations would still fall within the maximum spacing called for on the C.E. White instructional decals. Affix the appropriate C. E. White track mounted instructional decal over the Blue Bird track mounted seat instructional decal.

S
I
O
S
R

B
U
L
L
E
T
I
N

S
E
R
V
I
C
E



Decals for C.E. White Manufactured Track Mounted Seats:

Decal #00062317 Track Seating Instructions, CEW CR (Child Restraint) Seats

To be used with CE White seat features listed below:

- 30840-85 SEAT,CEW,CR,30,TM
- 30840-86 SEAT,CEW,CR,30,GM,TM
- 30840-91 SEAT,CEW,CR,39,TM
- 30840-92 SEAT,CEW,CR,39,GM,TM

(See page 3 for drawing of decal 00062317)

Decal #00062639 Track Seating Instructions, CEW SSS (Student Safety Seats)

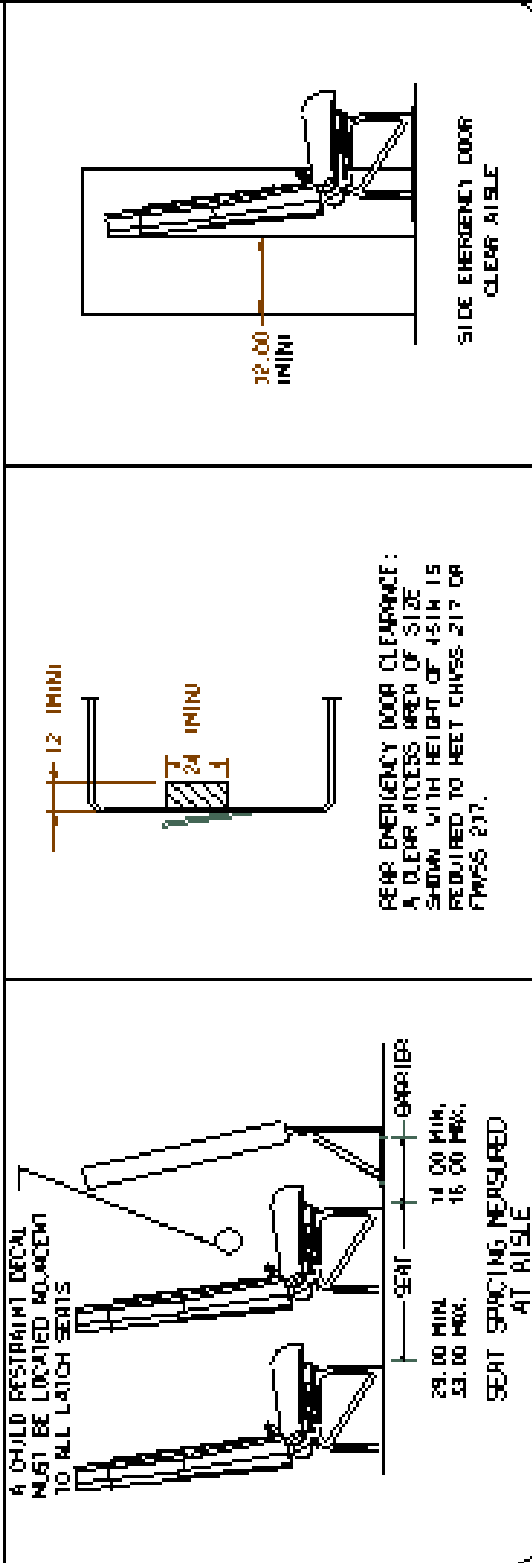
To be used with CE White seat features listed below:

- 30840-59 SEAT,CEW,SSS,30,TM
- 30840-60 SEAT,CEW,SSS,30,GM,TM
- 30840-63 SEAT,CEW,SSS,30,TM,UCRA
- 30840-65 SEAT,CEW,SSS,36,TM
- 30840-66 SEAT,CEW,SSS,36,GM,TM
- 30840-72 SEAT,CEW,SSS CR,30,TM
- 30840-76 SEAT,CEW,SSS CR,36,TM
- 30840-78 SEAT,CEW,SSS CR,36,TM,UCRA
- 30842-18 SEAT,CEW,SSCR,30,GM,TM
- 30842-19 SEAT,CEW,SSCR,36,GM,TM

(See page 4 for drawing of decal 00062639)

⑩

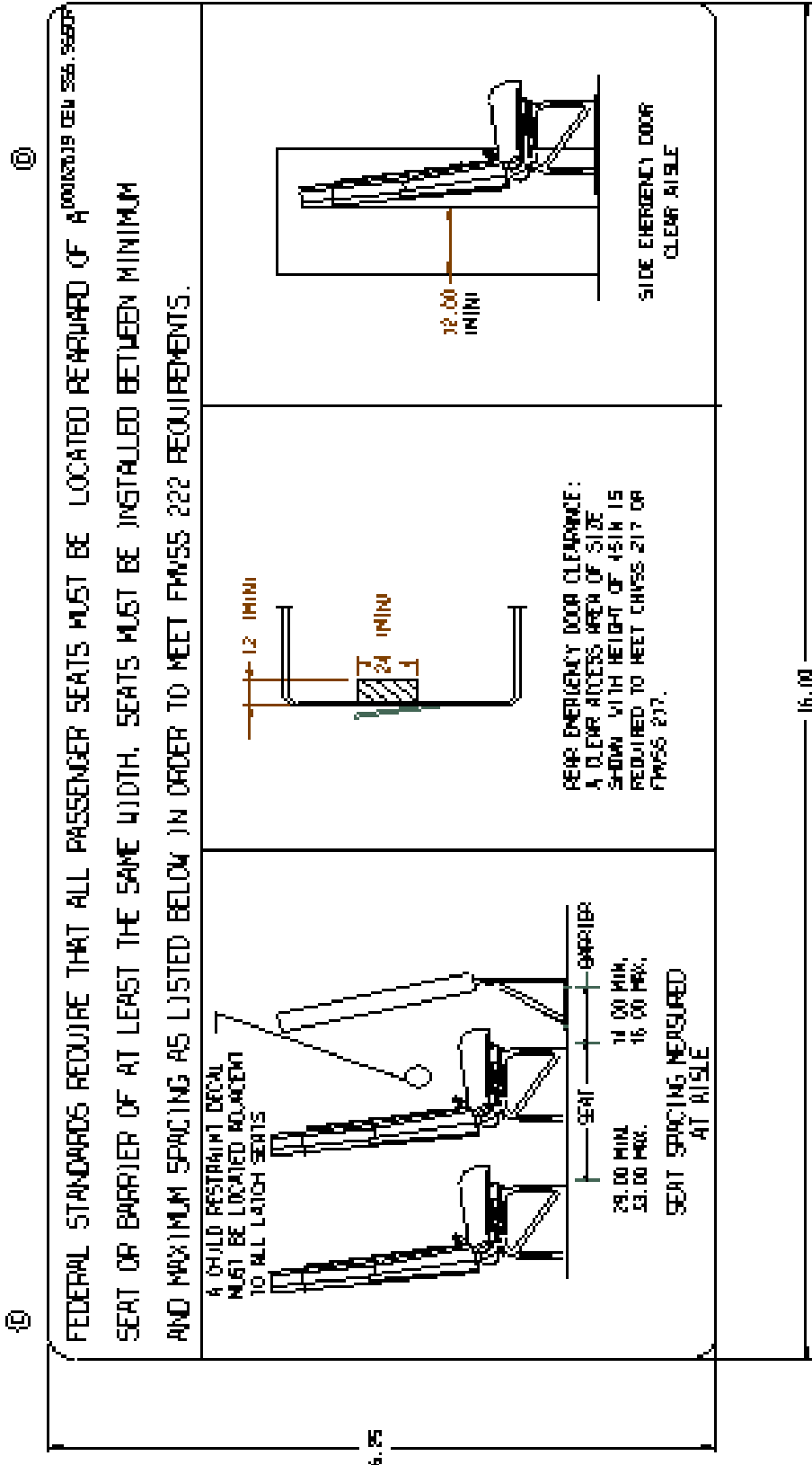
FEDERAL STANDARDS REQUIRE THAT ALL PASSENGER SEATS MUST BE LOCATED REARWARD OF A PROTRUDING DECK SEAT. SEAT OR BARRIER OF AT LEAST THE SAME WIDTH. SEATS MUST BE INSTALLED BETWEEN MINIMUM AND MAXIMUM SPACING AS LISTED BELOW IN ORDER TO MEET FMVSS 222 REQUIREMENTS.



Decal 00062317

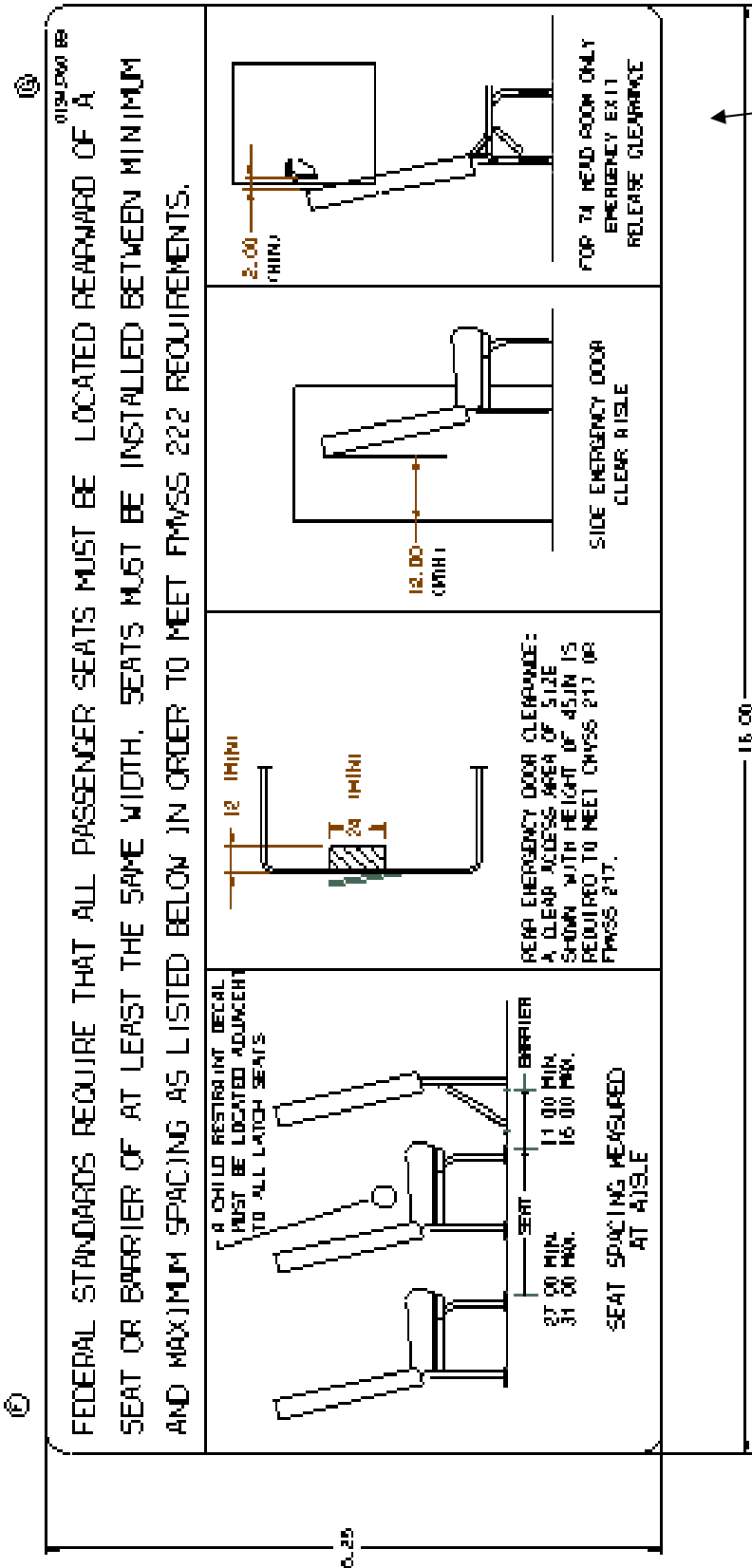
Used only with CE White Child Restraint seats.
 Do not use with CE White Student Safety Seats, even with child restraint.

⑪



Decal 00062639

Used only with CE White track mounted Student Safety Seats, including Student Safety seats with child restraint and meeting UCRA requirements.



Decal 01943760

Use only with Blue Bird track mounted seats

Blue Bird decal can be identified by this wording.